



Bathtub - CL.1

Volume Control clockwise-closing 1/2" - polished chrome

Article number: 36 607 740-00



- Without flange
- Handle Ø 2-3/8"
- Ceramic disc cartridge

Codes & Standards

- ASME A112.18.1/CSA B125.1
- Fittings group in compliance with DIN 4109: 2



polished chrome

Accessory is required for this item.



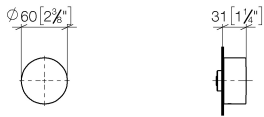
Bathtub - CL.1

Volume Control clockwise-closing 1/2" - polished chrome

Article number: 36 607 740-00

Dimensional drawing

mm [inches]



All dimensions in mm / inch = mm x 0,0394



Bathtub - CL.1

Volume Control clockwise-closing 1/2" - polished chrome

Article number: 36 607 740-00

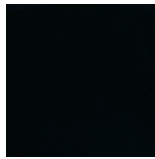
Other surface finishes



platinum matte
36 607 740-06



Brushed Durabrass
36 607 740-28



black matte
36 607 740-33



chrome matte
36 607 740-93



Dark Platinum matte
36 607 740-99

More custom finish options are available via special production (xTra Service). Please see our finish matrix for availability and pricing or contact a Dornbracht representative.



35 607 970-90 0010

Rough for volume control 1/2"

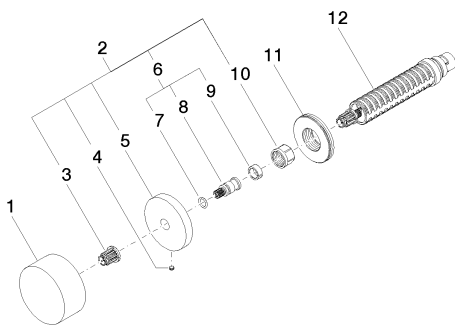
-

Bathtub - CL.1

Volume Control clockwise-closing 1/2" - polished chrome

Article number: 36 607 740-00

Spare parts list



Number	Item Number	Designation	Number of units
1	09 20 74 004-00	handle	1
2	04 27 74 004 00-00	rosette	1
3	09 12 12 002 90	fixing cap	1
4	09 31 11 055 90	pin	1
5	09 27 74 004-00	rosette	1
6	04 29 06 020 00-00	spindle	1
7	09 14 10 060 90	seal	1
8	09 29 06 020-00	spindle	1
9	09 14 15 020 90	ring	1
10	09 23 30 023 90	nut	1
11	09 30 01 107 90	sleeve	1
12	90 90 03 143 00 90	top	1