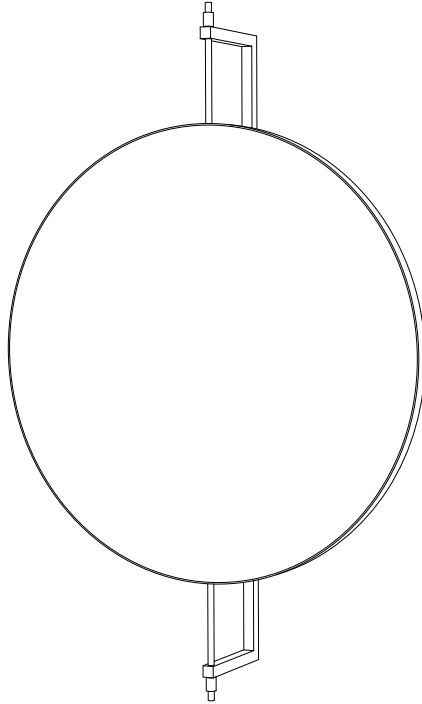


# K

KRISTINA  
DAM  
-  
*Studio*



## ROTATING MIRROR

Black Powder Coated Steel and Mirror  
60 L x 13,5 W x 91 H cm

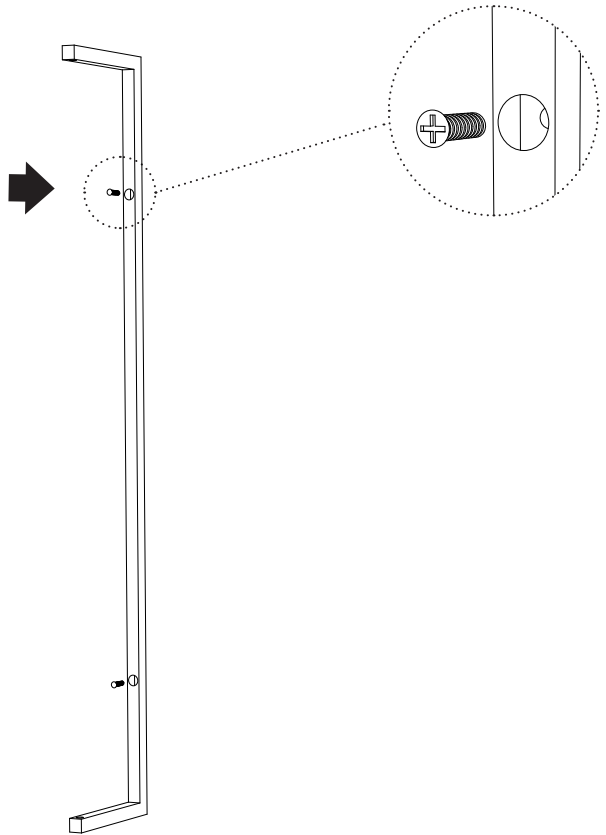
2 x Screws (not included)



Tool (not included)



1.



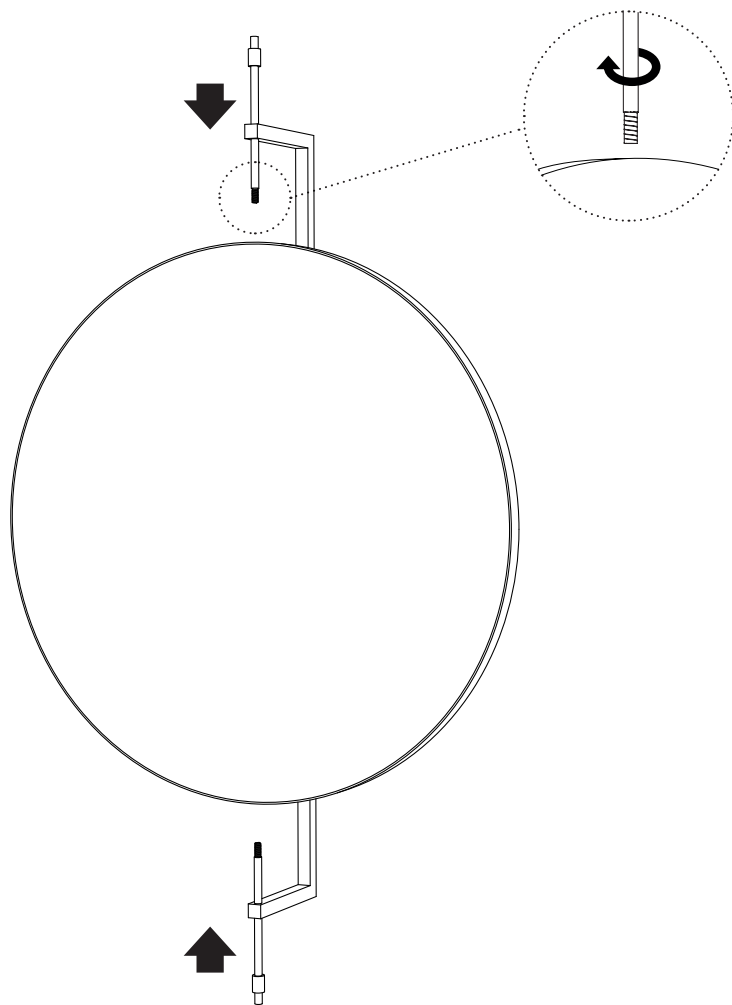
2 x Screws (not included)



Tool (not included)



2.



1. Make sure the frame is tightly screwed to the wall.
2. Place both rotation pins half into the frame and hold in place.
3. A second person must hold the mirror in place just beneath the pins.
4. Screw carefully each rotation pin equally into the frame and tighten it.

